

PS2-1800 HRE-14H

Solar Submersible Pump System for 4" wells

System Overview

Head max. 120 m
Flow rate max. 2,7 m³/h

Technical Data

Controller PS2-1800

- Controlling and monitoring
- Control inputs for dry running protection, remote control etc.
- Protected against reverse polarity, overload and overtemperature
- Integrated MPPT (Maximum Power Point Tracking)
- Battery operation: Integrated low voltage disconnect
- Integrated Sun Sensor

Power max. 1,8 kW
Input voltage max. 200 V
Optimum Vmp** > 102 V
Motor current max. 14 A
Efficiency max. 98 %
Ambient temp. -40...50 °C
Enclosure class IP68

Motor ECDRIVE 1800-HRE

- Maintenance-free brushless DC motor
- Water filled
- Premium materials, stainless steel: AISI 304/316
- No electronics in the motor

Rated power 1,7 kW
Efficiency max. 92 %
Motor speed 900...3.300 rpm
Insulation class F
Enclosure class IP68
Submersion max. 150 m

Pump End PE HRE-14H***

- Non-return valve
- Premium materials, stainless steel: AISI 304/316
- Helical rotor pump

Efficiency max. 79 %



Pump Unit PU1800 HRE-14H (Motor, Pump End)

Borehole diameter min. 4,0 in
Water temperature max. 50 °C

Standards



2006/42/EC, 2004/108/EC, 2006/95/EC

IEC/EN 61702:1995, IEC/EN 62253 Ed.1

The logos shown reflect the approvals that have been granted for this product family. Products are ordered and supplied with the approvals specific to the market requirements.

**Vmp: MPP-voltage under Standard Test Conditions (STC): 1000 W/m² solar irradiance, 25 °C cell temperature

***Specify temperature range on order

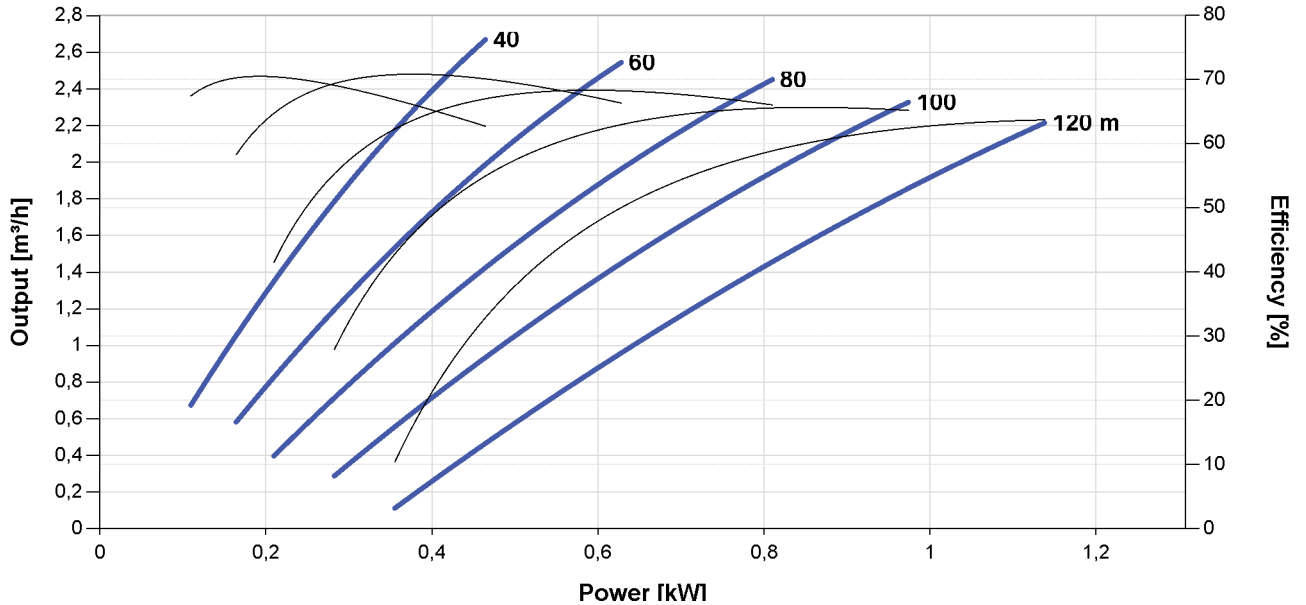


PS2-1800 HRE-14H

Solar Submersible Pump System for 4" wells

Pump Chart

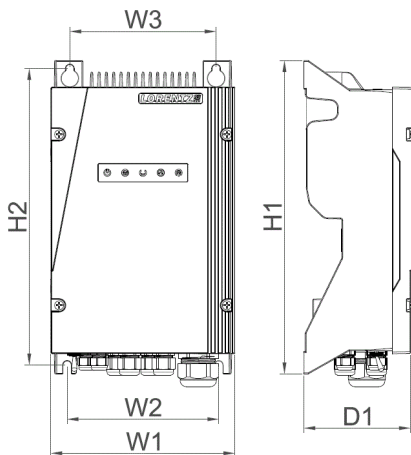
Vmp* > 102 V



Dimensions and Weights

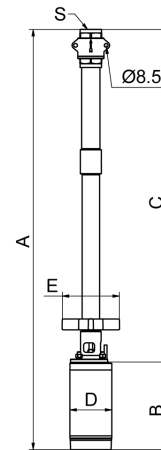
Controller

H1 = 352 mm
 H2 = 333 mm
 W1 = 207 mm
 W2 = 170 mm
 W3 = 164 mm
 D1 = 124 mm



Pump Unit

A = 970 mm
 B = 205 mm
 C = 765 mm
 D = 96 mm
 E = 147 mm
 S = 1,25 in



	Net weight
Controller	6,0 kg
Pump Unit	11 kg
Motor	6,8 kg
Pump End	4,4 kg

*Vmp: MPP-voltage under Standard Test Conditions (STC): 1000 W/m² solar irradiance, 25 °C cell temperature

